

Stainless Steel Oil Sight Glasses

AISI 316L, Temperature Resistant to 180 °C

SPECIFICATION

Types

- Type **AK**: With plastic reflector
- Type **AN**: With stainless steel reflector
- Type **B**: Without reflector

Body

Stainless steel AISI 316L

Sight glass

Security glass (ESG)

Reflector

- Type AK: Technopolymer (Polysulfone)
- Type AN: Stainless steel AISI 316L

Snap ring (type B)

Stainless steel, non-rusting, 316Ti

Seals

Rubber FPM (Viton®)

Identification by not black finish of the seal

Temperature resistant up to 180 °C



INFORMATION

The robust, scratch-proof glass of the stainless steel oil sight glass GN 743.10 is sealed at the edges by an O-ring. The sealing effect is independent of the axial pressure. The sight glasses can also be used in particularly aggressive environments thanks to the materials used.

The outside diameter of the oil level sight glasses with recessed hex matches the mounting holes for pipe fittings according to DIN 3852.

The outer seal is embedded in a radial recess. In addition, this groove prevents the seal from being ejected when the sight glass is tightened.

Stainless steel oil level sight glasses GN 743.10 can be used on pressurized tanks. Tests regarding maximum pressure are available.

Assembly instructions:

For mounting on walls of less than 4 mm thickness, please use a mounting nut GN 7430 (see page).

ACCESSORY

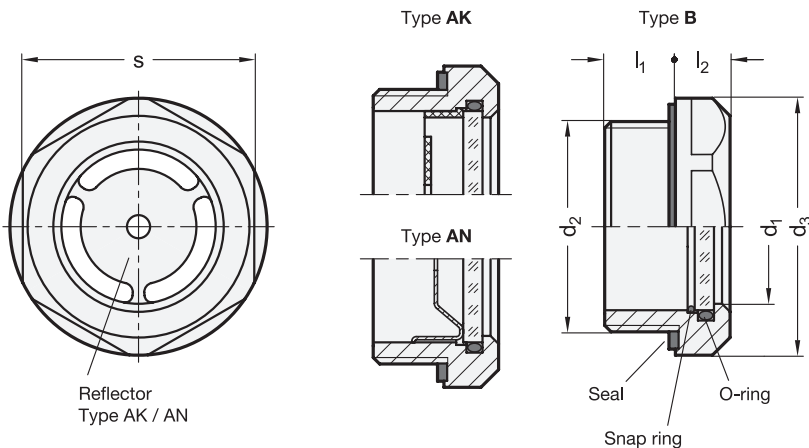
- Mounting Nuts GN 7430 (see page)

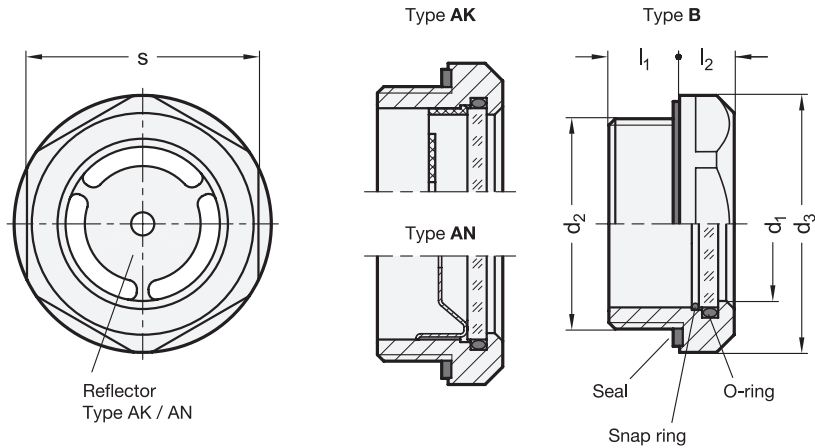
ON REQUEST

- Seals of NBR rubber and sight glass of float glass GN 743.9
- Seals of EPDM

TECHNICAL INFORMATION

- Elastomer Characteristics (see page A32)
- Plastic Characteristics (see page A2)
- Stainless Steel Characteristics (see page A26)





GN 743.10-AK

STAINLESS STEEL

Description	d1	d2	d3	l1	l2	s	⚖
GN 743.10-11-G3/8-AK	11	G 3/8	22	8	7.5	20	18
GN 743.10-11-M16x1,5-AK	11	M 16 x 1.5	22	8	7.5	20	18
GN 743.10-14-G1/2-AK	14	G 1/2	26	8.5	7.5	23	24
GN 743.10-14-M20x1,5-AK	14	M 20 x 1.5	26	8.5	7.5	23	24
GN 743.10-18-G3/4-AK	18	G 3/4	32	9	8	30	44
GN 743.10-18-M26x1,5-AK	18	M 26 x 1.5	32	9	8	30	44
GN 743.10-24-G1-AK	24	G 1	40	11	8.5	36	68
GN 743.10-24-M33x1,5-AK	24	M 33 x 1.5	40	11	8.5	36	68
GN 743.10-32-G1 1/4-AK	32	G 1 1/4	50	12	9	46	109
GN 743.10-32-M42x1,5-AK	32	M 42 x 1.5	50	12	9	46	109

GN 743.10-AN

STAINLESS STEEL

Description	d1	d2	d3	l1	l2	s	⚖
GN 743.10-11-G3/8-AN	11	G 3/8	22	8	7.5	20	18
GN 743.10-11-M16x1,5-AN	11	M 16 x 1.5	22	8	7.5	20	18
GN 743.10-14-G1/2-AN	14	G 1/2	26	8.5	7.5	23	24
GN 743.10-14-M20x1,5-AN	14	M 20 x 1.5	26	8.5	7.5	23	24
GN 743.10-18-G3/4-AN	18	G 3/4	32	9	8	30	44
GN 743.10-18-M26x1,5-AN	18	M 26 x 1.5	32	9	8	30	44
GN 743.10-24-G1-AN	24	G 1	40	11	8.5	36	68
GN 743.10-24-M33x1,5-AN	24	M 33 x 1.5	40	11	8.5	36	68
GN 743.10-32-G1 1/4-AN	32	G 1 1/4	50	12	9	46	109
GN 743.10-32-M42x1,5-AN	32	M 42 x 1.5	50	12	9	46	109

GN 743.10-B

STAINLESS STEEL

Description	d1	d2	d3	l1	l2	s	⚖
GN 743.10-11-G3/8-B	11	G 3/8	22	8	7.5	20	18
GN 743.10-11-M16x1,5-B	11	M 16 x 1.5	22	8	7.5	20	18
GN 743.10-14-G1/2-B	14	G 1/2	26	8.5	7.5	23	24
GN 743.10-14-M20x1,5-B	14	M 20 x 1.5	26	8.5	7.5	23	24
GN 743.10-18-G3/4-B	18	G 3/4	32	9	8	30	44
GN 743.10-18-M26x1,5-B	18	M 26 x 1.5	32	9	8	30	44
GN 743.10-24-G1-B	24	G 1	40	11	8.5	36	68
GN 743.10-24-M33x1,5-B	24	M 33 x 1.5	40	11	8.5	36	68
GN 743.10-32-G1 1/4-B	32	G 1 1/4	50	12	9	46	109
GN 743.10-32-M42x1,5-B	32	M 42 x 1.5	50	12	9	46	109

